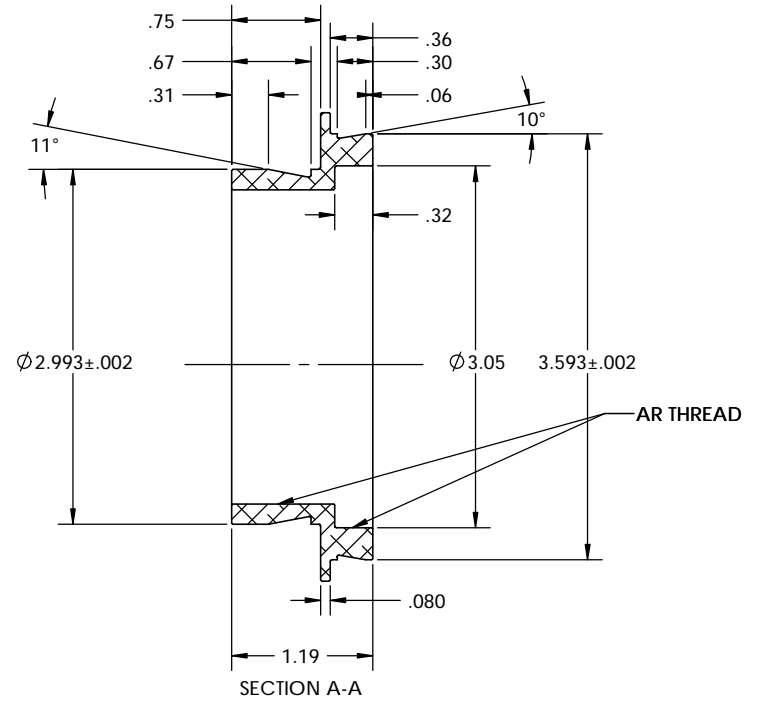
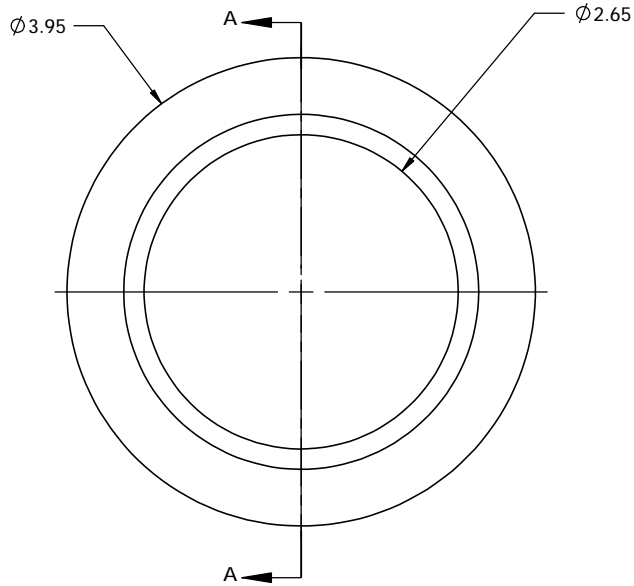


PN 4849
STK NO 17811



UNLESS OTHERWISE SPECIFIED:	NAME	DATE	Optec Inc.	
DIMENSIONS ARE IN INCHES	DRAWN	LD	01/28/09	TITLE: 3" TO OPTEC 3600
TOLERANCES:	CHECKED			
ANGULAR: ±1	ENG APPR.			
TWO PLACE DECIMAL ±.003	MFG APPR.			
THREE PLACE DECIMAL ±.007	Q.A.			
MATERIAL 6061	Contract		SIZE	DWG. NO.
FINISH FrostKote BDB	3-INCH ADAPTERS		B	17-06650
DO NOT SCALE DRAWING			REV	1.0
			SCALE: 1:1	WEIGHT: SHEET 1 OF 1