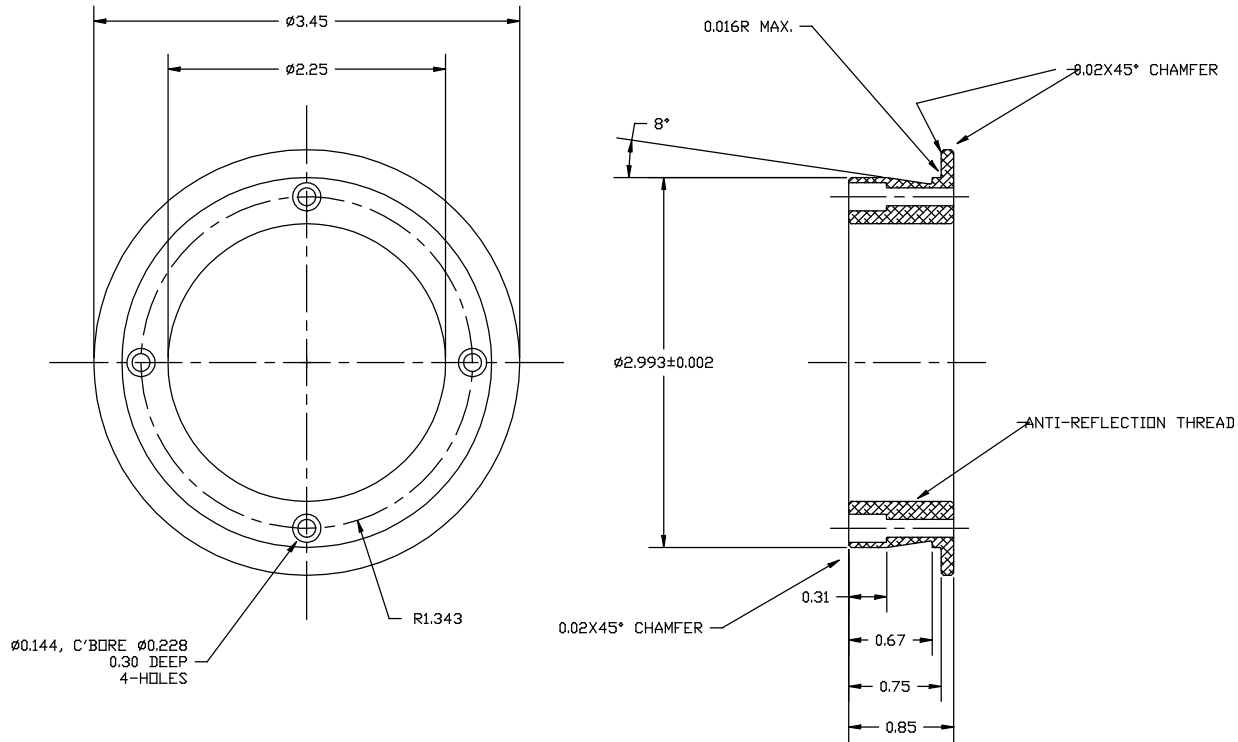


PN4544
 STK. NO. 17806



NOTE: BREAK ALL EDGES

TOLERANCE .XX ±.007,XXX ±.003	CONTRACT 3-INCH ADAPTERS	<i>OPTEC, Inc.</i>	
MATERIAL 6061	REVISION 9/27/06 8/2/07		
FINISH FROSTKOTE/BRIGHT DIP BLACK ANODIZE		SCALE: 1X	NO: 17-06668