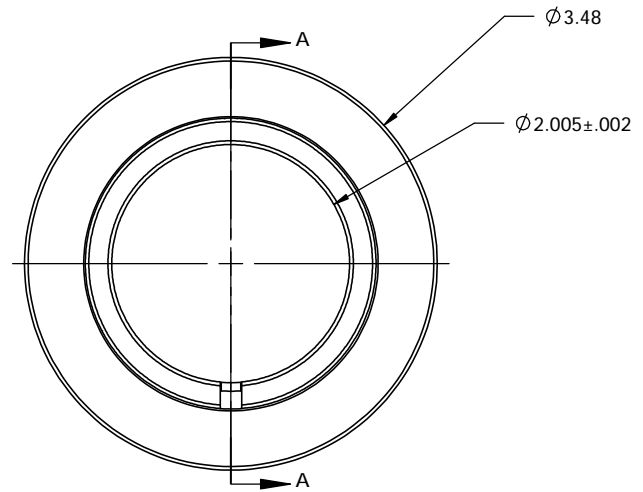
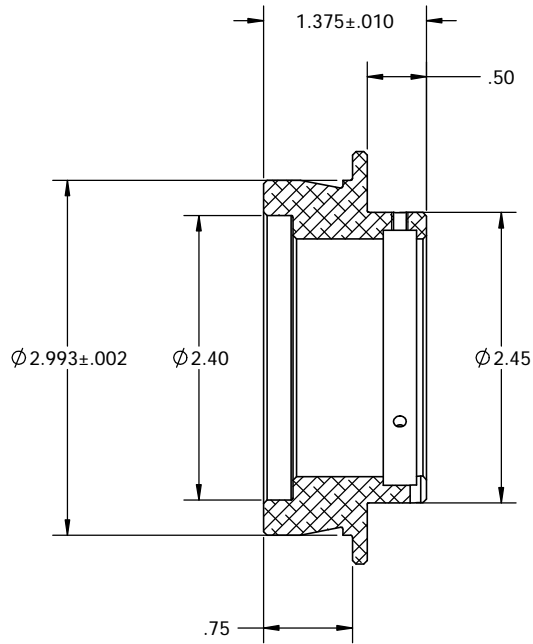


PN 4488  
 STK. NO. 17804



UNLESS OTHERWISE SPECIFIED: DIMENSIONS ARE IN INCHES TOLERANCES: FRACTIONAL ± ANGULAR: MACH ± BEND ± TWO PLACE DECIMAL ±.007 THREE PLACE DECIMAL ±.003	DRAWN	NAME	DATE	<b>Optec, Inc.</b>
	CHECKED	LD	09/28/09	
	ENG APPR.			
	MFG APPR.			
	Q.A.			TITLE: <b>3" TO 2" REDUCER</b>
THIRD ANGLE PROJECTION	MATERIAL <b>6061-T6</b>	CONTRACT		SIZE DWG. NO.
	FINISH SATIN ETCH BLACK	3-INCH ADAPTERS		<b>B 17-06663</b>
	DO NOT SCALE DRAWING			SCALE: 1:1 WEIGHT: SHEET 1 OF 1

